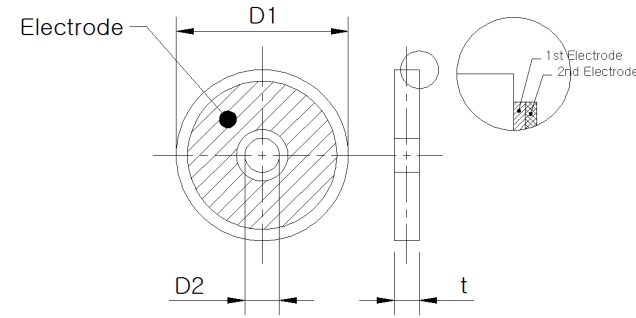


PTC thermistors as heating elements

Metallized ring disks (Automotive series)

Applications

- 디젤 연료 히터 (diesel fuel heater)
- 공기 가열 보조 히터 (air pre heater)
- 수소 연료 전지 히터



Symbols and terms

R_{25}	Resistance at 25°C
R_p	Resistance switching temperature
T_b	Switching temperature
T_{sf}	Final surface temperature
V_R	Rated voltage
V_{max}	Maximum operating voltage
I_{max}	Maximum current
$I_{in p}$	Peak inrush current
I_{res}	Residual current
V_w	Withstanding voltage

Part no. (Logo : HP)	온도	상온저항	외관 규격		전극		두께	사용전압			전기적 특성			Part no. (Logo : SYP)
	T_b	R_{25}	D1	D2	1st	2nd	t	V_R	V_{max}	V_{WS}	I_{in}	I_{res}	T_S	
	[°C]	[Ω]	[mm]	[mm]	-	-	[mm]	[V]	[V]	[V]	[Max. A]	[mA]	[°C]	
HP HE 13 180 S R 16 R5 A 16 A	135	17.6 ±20%	16.5 ±0.3	4.5 ±0.1	Ag/Zn	Ag	1.65 ±0.1	28.6	34.0	50	6.0	230 ±30%	135 ±10	SYP HE 13 180 S R 16 R5 - A 16
HP HE 14 010 S R 16 R5 A 16 A	145	1.70 ±20%	16.5 ±0.3	4.5 ±0.1	Ag/Zn	Ag	1.65 ±0.1	12.0	13.5	30	10.0	600 ±30%	145 ±10	SYP HE 14 010 S R 16 R5 - A 16
HP HE 14 020 S R 16 R5 A 16 A	145	2.27 ±20%	16.5 ±0.3	4.5 ±0.1	Ag/Zn	Ag	1.65 ±0.1	12.0	24.0	30	10.0	550 ±30%	145 ±10	SYP HE 14 020 S R 16 R5 - A 16
HP HE 14 030 S R 16 R5 A 16 A	145	2.73 ±20%	16.5 ±0.3	4.5 ±0.1	Ag/Zn	Ag	1.65 ±0.1	12.0	24.0	30	7.0	500 ±30%	145 ±10	SYP HE 14 030 S R 16 R5 - A 16
HP HE 14 040 S R 16 R5 A 16 A	145	4.10 ±20%	16.5 ±0.3	4.5 ±0.1	Ag/Zn	Ag	1.65 ±0.1	24.0	28.6	50	9.0	330 ±30%	145 ±10	SYP HE 14 040 S R 16 R5 - A 16
HP HE 14 070 S R 16 00 A 15 A	140	7.50 ±20%	16.0 ±0.3	4.5 ±0.1	Ag/Zn	Ag	1.55 ±0.1	24.0	28.6	50	7.0	300 ±30%	145 ±10	SYP HE 14 070 S R 16 00 - A 15
HP HE 14 100 S R 14 00 A 12 A	145	10.00 ±20%	14.0 ±0.3	4.5 ±0.1	Ag/Zn	Ag	1.20 ±0.1	28.6	40.0	50	5.5	330 ±30%	145 ±10	SYP HE 14 100 S R 14 00 - A 12
HP HE 14 140 S R 14 00 A 12 A	145	14.40 ±20%	14.0 ±0.3	4.5 ±0.1	Ag/Zn	Ag	1.20 ±0.1	28.6	40.0	50	5.0	300 ±30%	145 ±10	SYP HE 14 140 S R 14 00 - A 12
HP HJ 15 020 S R 22 00 A 20 A	150	1.73 ±20%	22.0 ±0.3	4.7 ±0.2	Ag/Zn	Ag	2.00 ±0.1	12.0	13.5	30	9.0	650 ±30%	150 ±10	SYP HE 15 020 S R 22 00 - A 20
HP HE 15 020 S R 14 00 A 16 A	150	1.90 ±20%	14.0 ±0.3	4.5 ±0.1	Ag/Zn	Ag	1.60 ±0.1	12.0	13.5	30	10.0	600 ±30%	150 ±10	SYP HE 15 020 S R 14 00 - A 16
HP HE 15 030 S R 16 R5 A 16 A	150	2.97 ±20%	16.5 ±0.3	4.5 ±0.1	Ag/Zn	Ag	1.65 ±0.1	13.0	24.0	30	8.0	600 ±30%	145 ±10	SYP HE 15 030 S R 16 R5 - A 16
HP HE 16 050 S R 16 R5 A 16 A	160	4.60 ±20%	16.5 ±0.3	4.5 ±0.1	Ag/Zn	Ag	1.65 ±0.1	24.0	32.0	50	10.0	380 ±30%	150 ±10	SYP HE 16 050 S R 16 R5 - A 16
HP HE 17 010 S R 16 R5 A 16 A	170	1.50 ±20%	16.5 ±0.3	4.5 ±0.1	Ag/Zn	Ag	1.65 ±0.1	12.0	24.0	30	10.0	700 ±30%	165 ±10	SYP HE 17 010 S R 16 R5 - A 16